

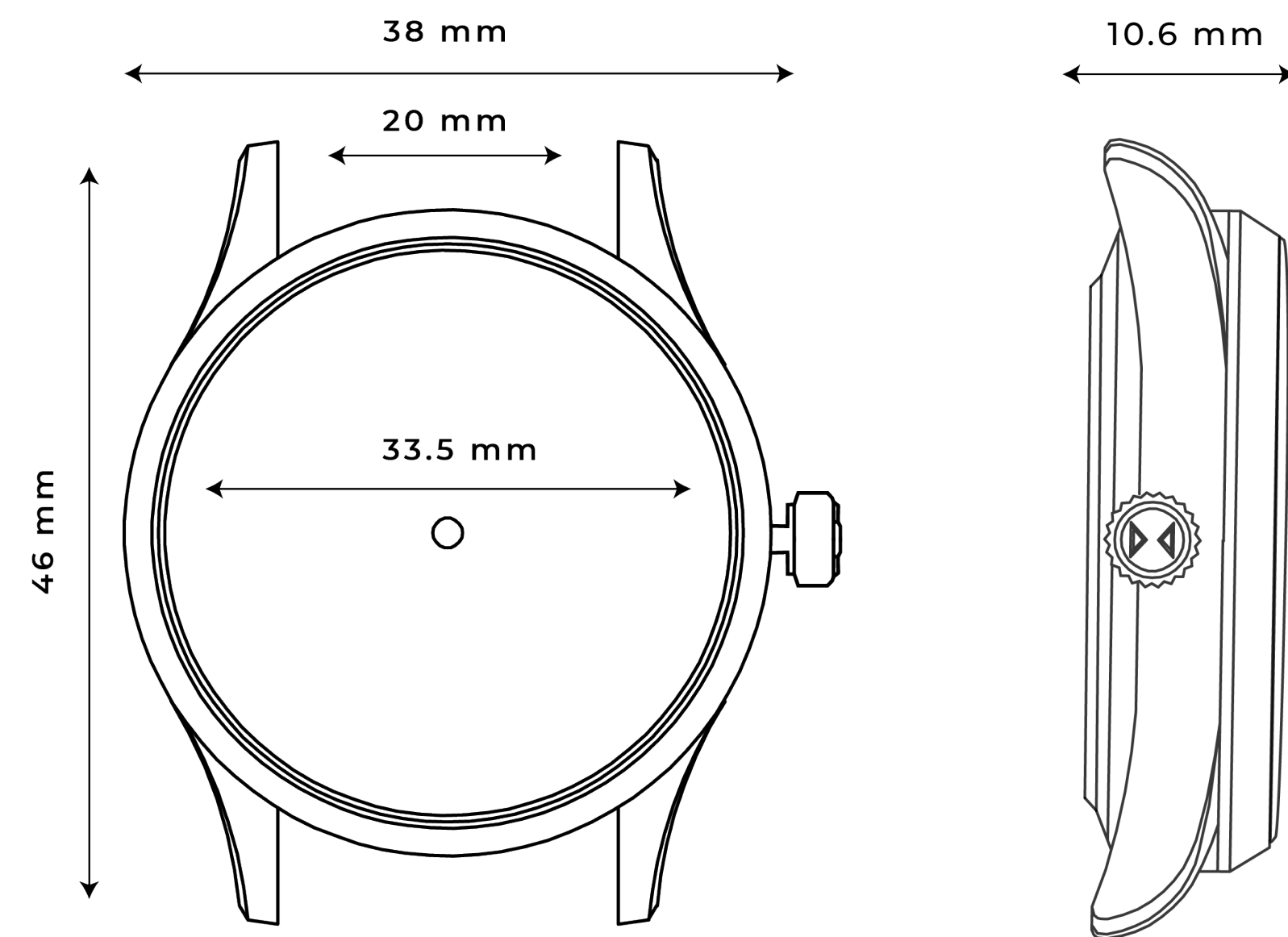
\_ORION

MU:IN

# TECHNICAL SHEET

## SPECIFICATIONS

### DIMENSIONS



### DIAL & MOONDISC

Texture	2 floors - grained and matt
Index	Super luminova
Moondisc	Realistic luminescent disc
Moondisc manufacturer	AJS Production

### MATERIALS & FINISHES

Dial glass	Saphir anti-reflective coating x2
Case back glass	Saphir anti-reflective coating x2
Strap	French leather or Stainless Steel
Movement finishes	D3 / luxurious decoration
Shock-absorber	Incabloc
Barrel spring	Nivaflex
Water Resistance	100 ATM

SWISS MADE

# TECHNICAL SHEET

## SELLITA CALIBER

### CARACTERISTICS

Family	Sellita SW200 Family
Height	4.40 mm
Jewels	18
Reserve	42 hours
Frequency	28,800 A/h
Winding	Hand winding
Diameter	25.60 mm (11.5 ligne)

### SETTING

Complication	Date, Hacking Seconds, Moon Phase, Quick Date Correction
Hands	Central Hour Hand, Central Minute Hand, Central Moon Phase Wheel, Central Seconds Hand, Date Window at 6:00
Synodic revolution	29.50 days
Fonctions	3 hands, date, moon phases
Middle rate	Elaborated (+/- 7)
Crown	Quick moonphase & date correction

The Sellita Cal. SW288-1 M is a hand-winding movement introduced in 2018, offering a refined moon phase and date display, inspired by the renowned ETA 2800 family. It stands out with a large central moon phase disc and a discreet date window at 6:00, showcasing both elegance and precision.

Part of the acclaimed SW200 family, the SW288-1 benefits from Sellita's innovative design, featuring a bi-directional winding mechanism and an additional jewel, bringing the total to 26 for enhanced durability and performance. With modifications introduced in 2008 to improve shock resistance and longevity, this movement exemplifies Sellita's commitment to precision engineering and reliable craftsmanship, making it a standout choice for fine timepieces.