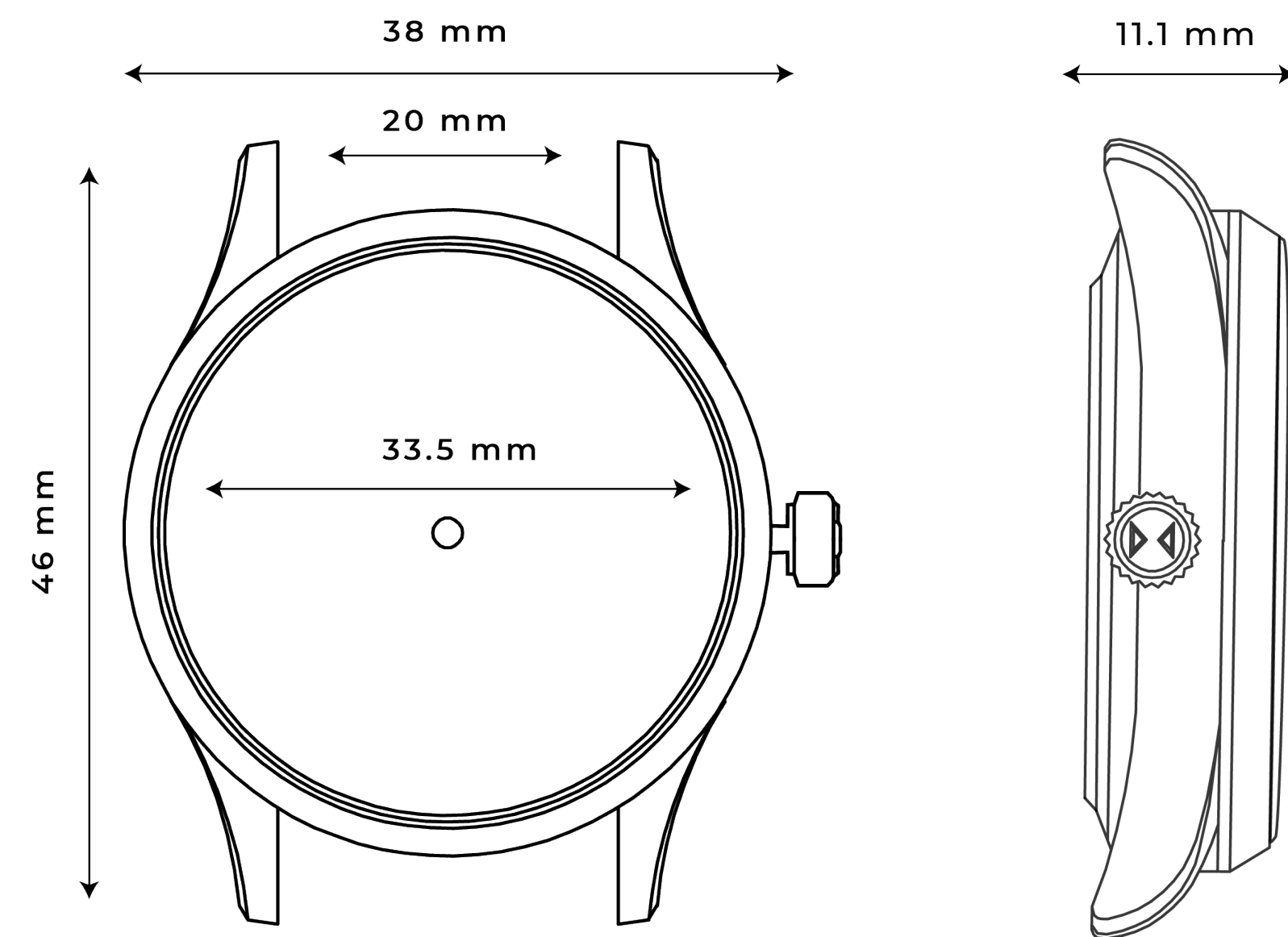


_ ORIGIN

TECHNICAL SHEET

SPECIFICATIONS

DIMENSIONS



MATERIALS & FINISHES

Case	Stainless steel
Dial glass	Saphir anti-reflective coating x2
Case back glass	Saphir anti-reflective coating x2
Moondisc	Rhodium-plated or gold-plated
Strap	Italian & French leather
Movement finishes	D4 / luxurious decoration
Shock-absorber	Incabloc
Barrel spring	Nivaflex
Water Resistance	5 ATM

_ ORIGIN

TECHNICAL SHEET

SW288-1 Automatic Caliber

CARACTERISTICS

Family	Sellita SW200 Family
Height	5.65 mm
Jewels	26
Reserve	42 hours
Frequency	28,800' A/h (4Hz)
Winding	Hand winding
Diameter	25.60 mm (11.5 ligne)

SETTING

Complication	Date, Hacking Seconds, Moon Phase, Quick Date Correction
Hands	Central Hour Hand, Central Minute Hand, Central Moon Phase Wheel, Central Seconds Hand, Date Window at 6:00
Synodic revolution	29.50 days
Fonctions	3 hands, date, moon phases
Middle rate	Elaborated (+/- 7)
Crown	Quick moonphase & date correction

The finishing level of the movement for the Orion series, named *Luxurious D4*, is the highest offered by the Sellita. It includes a main plate with circular graining, snailing on the bevels, crown wheel, ratchet, and barrel, all nickel-plated.

The Sellita Cal. SW288-1 A, introduced in 2018, is a automatic-winding movement featuring a refined moon phase and date display, inspired by the ETA 2800 family. It is distinguished by a large central moon phase disc and a discreet date window at 6:00, offering a blend of elegance and precision.

The oscillating weight is inspired by the *Moon XVIII* card from the Tarot de Marseille, drawn by Jean Dodal in the 17th century. This piece is manufactured by AJS Production in Switzerland.